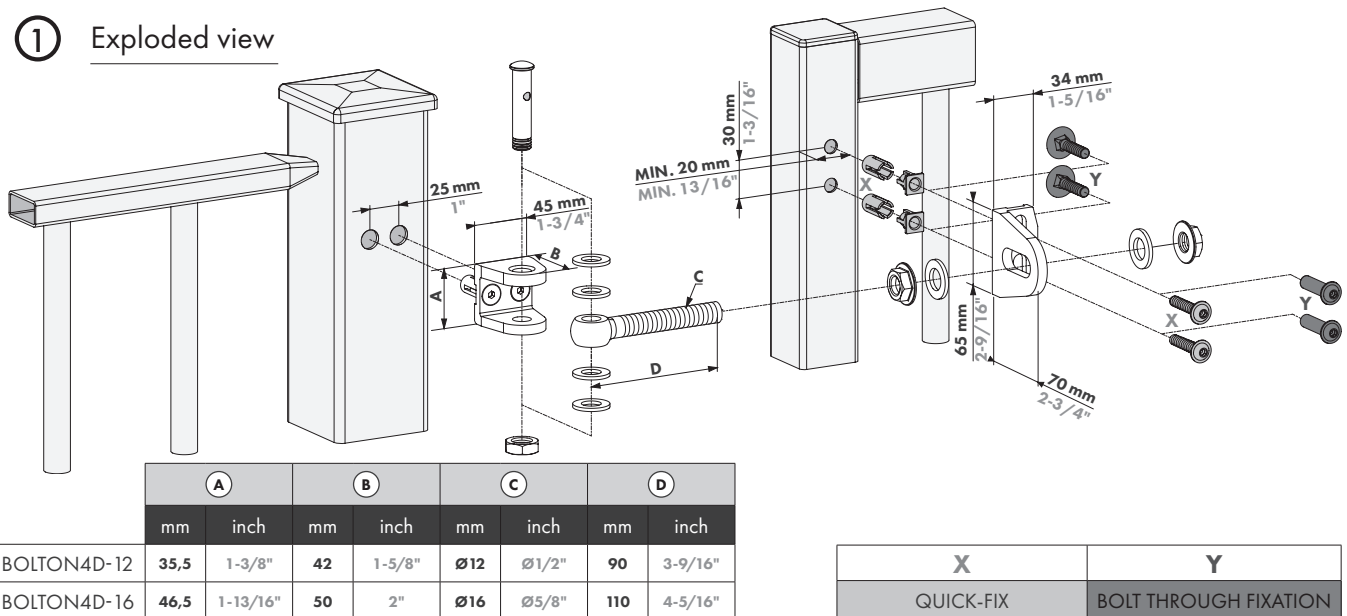


# LOCINOX

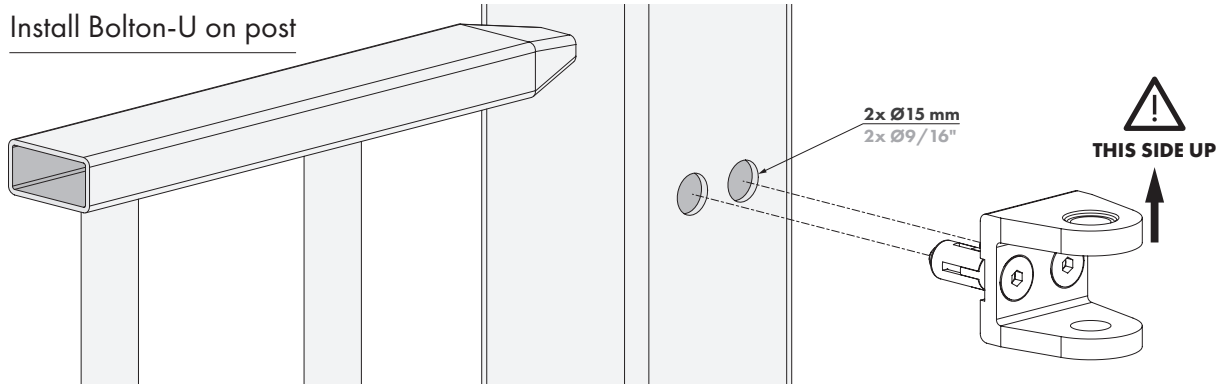
Let's make it better together

## BOLTON4D

### 1 Exploded view



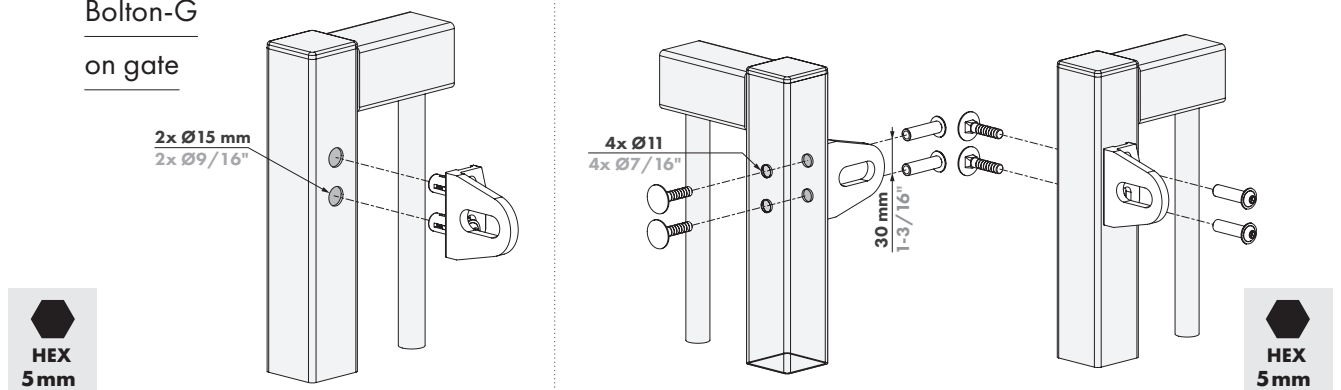
### 2 Install Bolton-U on post



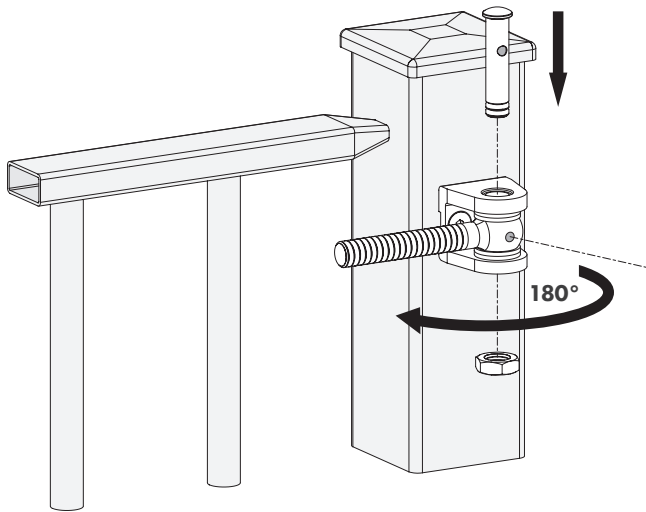
### 3 Install Bolton-G on gate

A: With Quick-Fix

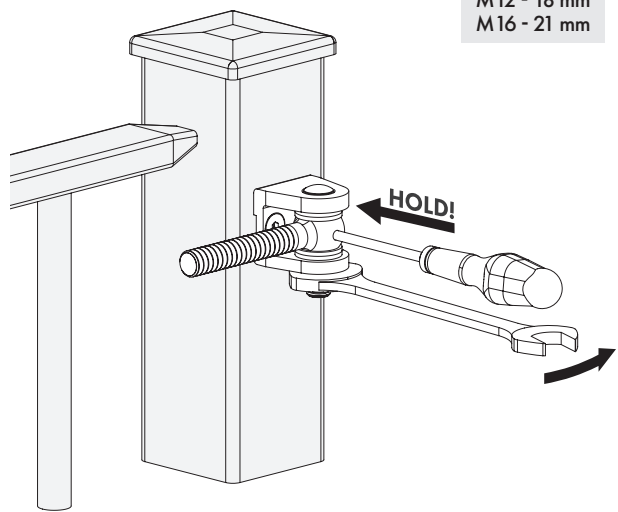
B: With bolt through fixation




④ Position cross bolt and turn eyebolt 180°

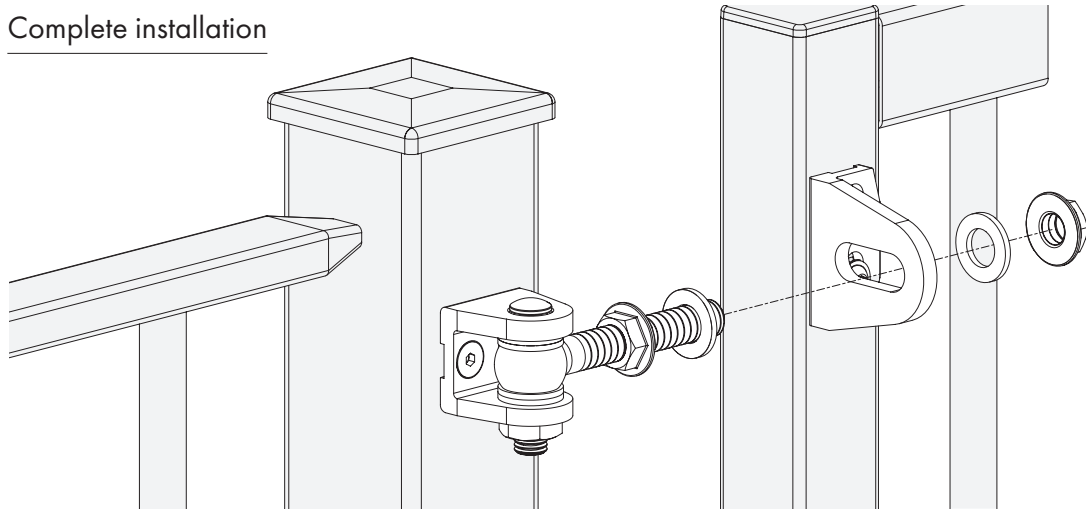



⑤ Fix cross bolt



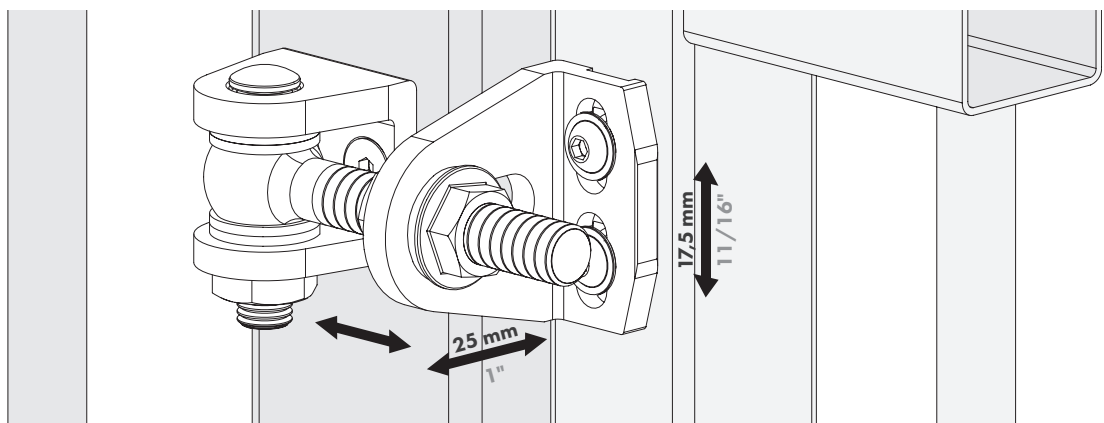
  
M12 - 18 mm  
M16 - 21 mm

⑥ Complete installation



  
M12 - 18 mm  
M16 - 24 mm

⑦ Adjust gate and post



**LOCINOX**

Let's make it better together

Doc. Nr.: MANU-000382

Locinox nv • Mannebeekstraat 21 • B-8790 Waregem • Belgium  
Tel. +32 (0)56 77 27 66 • Fax. +32 (0)56 77 69 26 • E-mail: info@locinox.com

